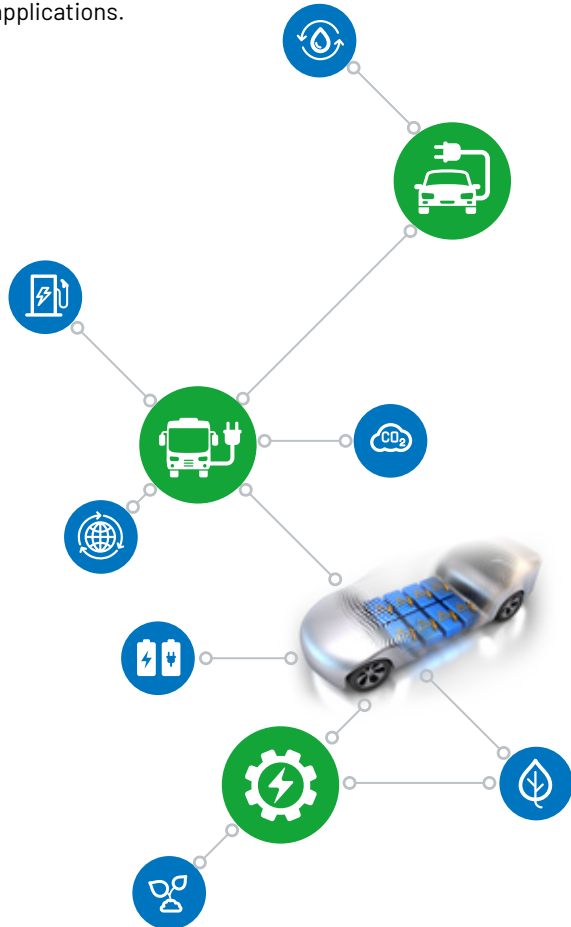


The Witzenmann Group

Close to the customer

The Witzenmann Group is the leading expert in the safe transmission of media and energy. It spans the globe with 22 locations worldwide in Europe, Asia and America. As a preferred engineering partner, Witzenmann is shaping the change of the automotive industry and developing customized solutions. The products not only cover classical applications in the vehicle industry and aerospace but are ever expanding into new markets such as e-mobility and H₂ applications.



Witzenmann GmbH

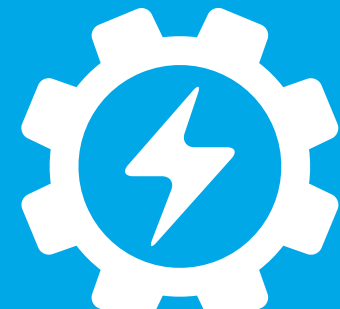
Östliche Karl-Friedrich-Str. 134
75175 Pforzheim, Germany

Contact:
newmobility@witzenmann.com
www.witzenmann.com

1929uk/1/01/23/pdf

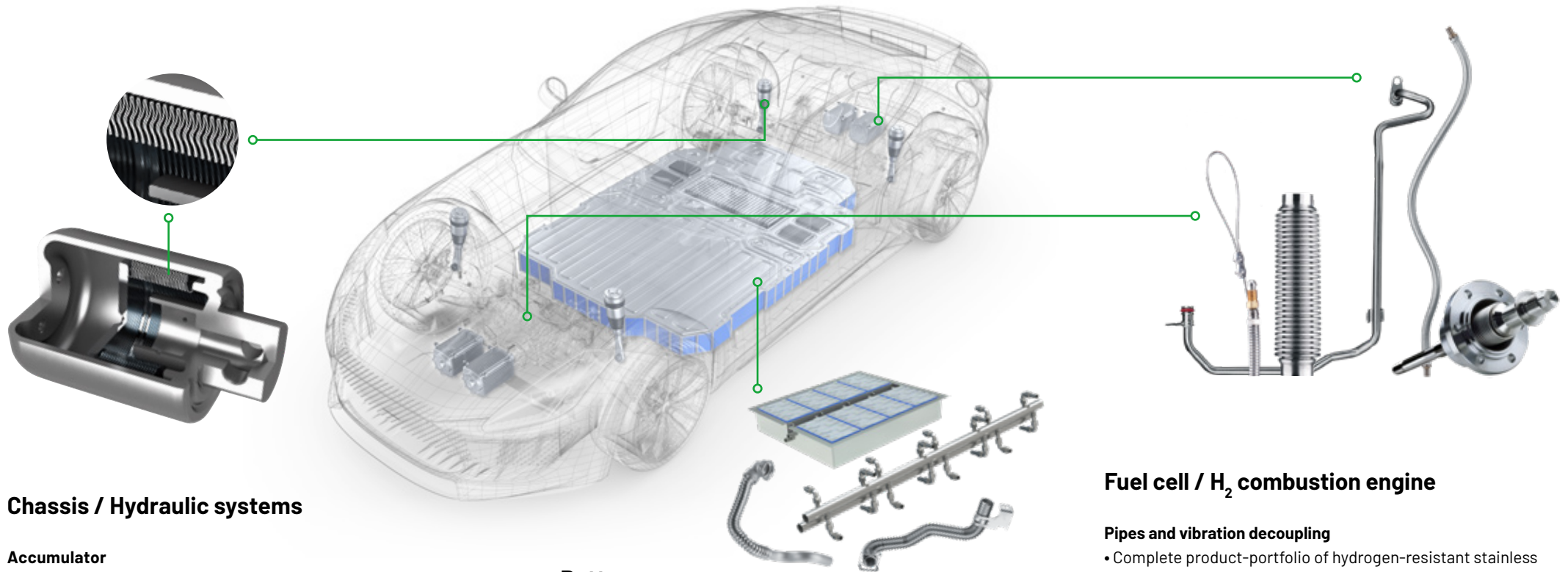
Products for New Mobility

Solutions from the market leader



Experts for safe transmission of media and energy

E-mobility, fuel cell, gas, liquid



Chassis / Hydraulic systems

Accumulator

- Energy storage/recovery
- Volume compensation
- Pressure pulsation damping
- High standard of technical cleanliness
- Compact design
- Maintenance-free
- Unchanging product characteristics throughout the working life

Battery

Cooling pipes and piping systems

- Metallic flexible media pipes
- Space-saving and lightweight design
- Modular design with individual connection techniques
- High temperature resistant (fire resistance acc. ECE-R100)

Degassing pipes

- Pipes for directional degassing of batteries
- Metallic pipes with high temperature resistance
- Enhanced safety in the case of an accident and thermal runaway
- High geometrical adaptability

Fuel cell / H₂ combustion engine

Pipes and vibration decoupling

- Complete product-portfolio of hydrogen-resistant stainless steels (resistant to hydrogen embrittlement)
- Designed for system-typical high pressures
- Stable properties over life time
- Resistant to permeation
- Geometrically adaptable
- Common connection joints